



# WeldPack<sup>®</sup>

Welded Plate Heat Exchangers



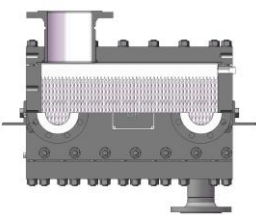
*A Leading Supplier In Plate Heat Exchangers*

# WeldPack<sup>®</sup> Welded Plate Heat Exchangers

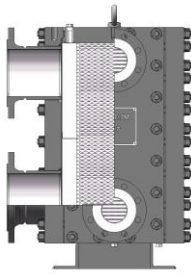
Vitherm WeldPack<sup>®</sup> welded plate heat exchanger is a compact solution to work in high operating pressures, and high or low operating temperatures.

## Advantages of WeldPack<sup>®</sup> :

- no interplate gaskets
- accessible on both sides
- easier to access & easier to clean
- closer temperature approach possible
- compactness – very little space required
- lower capital cost
- low-maintenance
- fully welded by robot



Horizontal Unit



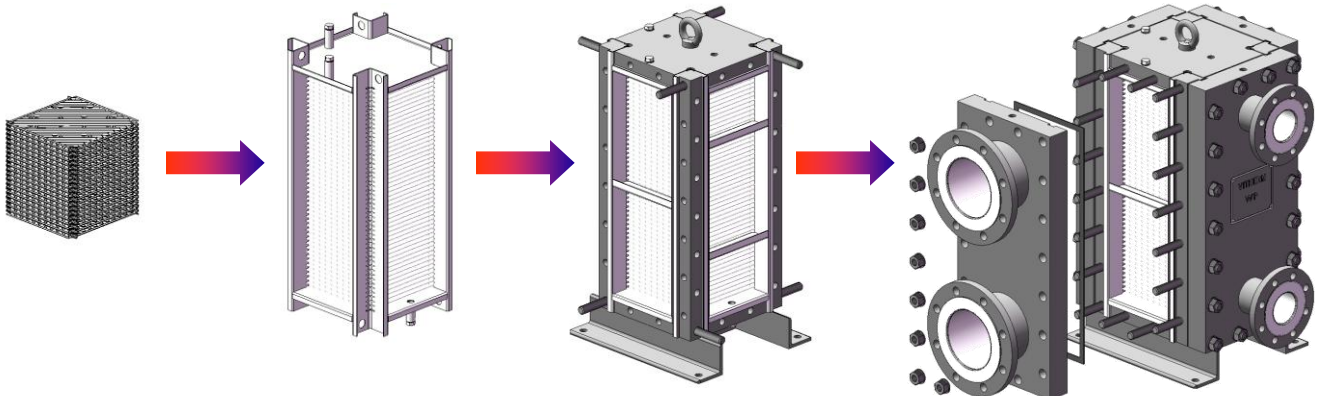
Vertical Unit



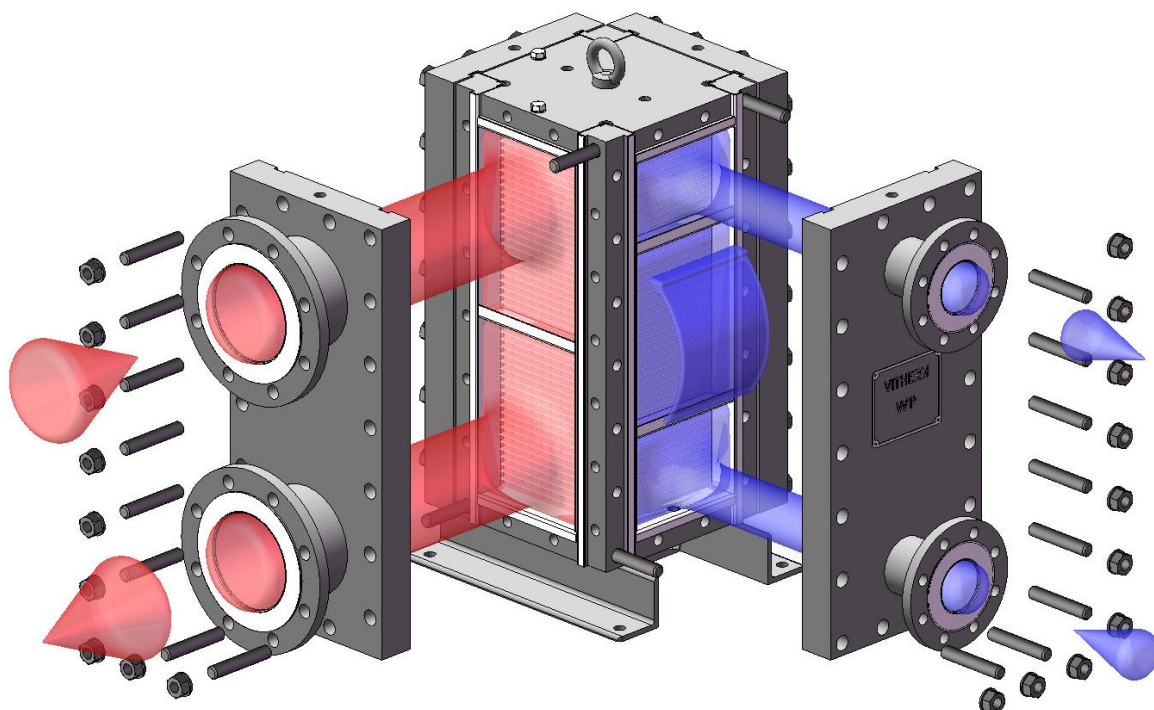
## Available Materials:

Any alloy that can be pressed & welded

- SS316L (Standard)
- Titanium & Titanium + 0.2 Pd.
- Hastelloy<sup>®</sup> C-2000, C-276, C-22, B2
- Avesta 254 SMO, 904L
- Nickel
- Uranus B-6
- Incoloy / Inconel
- Monel
- Tantalum



MODEL	Min AREA (m <sup>2</sup> )	Max AREA (m <sup>2</sup> )
WP 20	2.40	6.10
WP 30	6.48	25.80
WP 50	27.00	81.00
WP 75	96.00	383.40
WP 150	383.00	1,534.00



**Design Pressure:** Vacuum / 50 barg  
**Design Temperature:** - 40 °C / 400 °C

## APPLICATIONS :

- liquid - liquid
- condenser with or without sub-cooling
- condenser with or without inert
- reboiler
- steam heater

## INDUSTRY SECTORS :

- Oil & Gas Industry
- Vegetable Oil Industry
- Chemical/Petrochemical Industry
- Pharmaceutical Industry

## OTHER PRODUCTS :



Flowpack®  
Gasketed Plate Heat Exchangers

**Port Size:** From ¾" till 20"

**Design Pressure:** Vacuum / 20 - 25 barg

**Design Temperature:** -20 °C / 180 °C

**Application:**

- ✓ Marine Industry
- ✓ Chemical Industry
- ✓ HVAC Industry
- ✓ Oil & Gas Industry
- ✓ Food Industry



Thermoweld®  
Plate & Shell  
Heat Exchangers  
(without gaskets between plates)

**Design Pressure:** Vacuum / 100 barg

**Design Temperature:** -50 °C / 900 °C

**Application:**

- ✓ Refrigeration System
- ✓ Thermal Oil System
- ✓ Chemical / Petrochemical

Contact us by mail: [info@vitherm.com](mailto:info@vitherm.com)

### Centralized contact numbers:

France :	+33 4 76 99 30 90
Europe (except France), Africa, Middle East, North America :	+41 27 324 70 90 (Switzerland)
Asia Pacific :	+65 6324 0178 (Singapore)
South America :	+55 11 2768 4551 (Brazil)